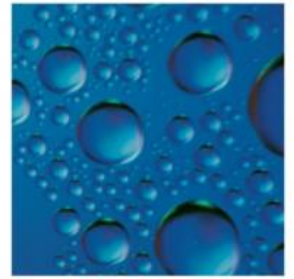


# JCH ball valve Type 745513D with drain.

**Prevents frost damage.  
With female threads.  
Prepared for AVK extension spindles.**



Version 0116



## Ballvalve with drain

### Application:

Service valve for water supply.

Suitable for drilling under pressure.

Suitable for drainage of water in house installations (summer cottage), to prevent frost damage.

### Test:

JCH 100% test

### Accessories:

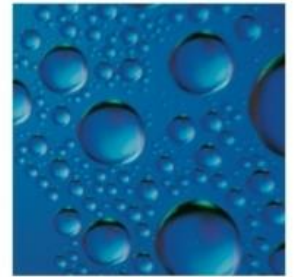
AVK extension spindles, fixed length series 04/05.

AVK extension spindles, telescopic series 04/07.

## Material

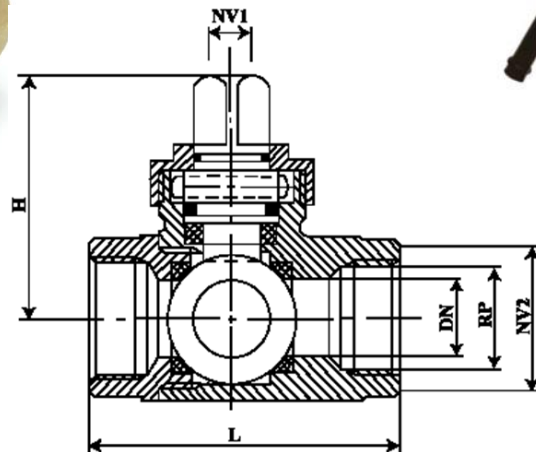
Body:	DZR brass CW625N
Spindle:	Stainless steel - AISI 303
Spindle gasket:	SEDI PTFE + O-rings of NBR rubber
Ball:	Stainless acidproof steel - AISI 316
Top gasket:	NBR O-rings
Top union:	DZR brass CW602N
Gasket inside:	SEDI PTFE

# JCH ball valve Type 745513D with drain. With 12mm Square head spindle. Prepared for AVK extension spindles and street covers.



Version 0116

Service valve for water supply.  
Suitable for drilling under pressure.  
Suitable for drainage of water in house installations (summer cottage), to prevent frost damage.



Order no..	LNS no.	RP	DN mm	L mm	H mm	NV1 mm Spindle	NV2 mm Body	weight kg
745513-306	343-020-24-10	3/4"	20	79	99	12	39	1,14
745513-308	343-025-24-10	1"	25	82	104	12	42	1,34
745513-310	343-032-24-10	1 1/4"	32	103	109	12	56	2,04
745513-311	343-040-24-10	1 1/2"	40	107	119	12	70	2,85
745513-312	343-050-24-10	2"	50	120	127	12	70	3,64

**JCH A/S**

Karetmagervej 21 DK-7100 Vejle Tel. +45 75 85 84 08 Fax +45 75 85 80 82  
CVR-nr. 87 56 20 18 | CVR-nr. DK 15 30 02 72